

Recommendations for the Installation of PROFAB ACCESS 3000 Series Loft Hatch



Contact Details:
Tel: +44 (0) 1827 718 222
Web: Profabaccess.com

RK Feb 2017 Rev A

Profab Access Ltd
Unit C & D, Riversdale House
Riversdale Road, Carlyon Road Ind Est
Atherstone, Warwickshire
UK, CV9 1FA

Contents

Handling, storage & protection	P3
Handling	P3
Storage	P3
Protection	P3
Before You Start	P4
Opening	P4
Installation	 P4
Clearances	P4
Adjusting Door Sizes	P4
Door Finishes	 P4
Apertures	P5
Frame Packer Materials Requirements	P5
Fixings	P5
Tools & Components Required	P5
Picture Frame (PF) with Metal Door (MD)	 P5
Beaded Frame (BF) with Metal Door (MD)	 P6
Plastering a Beaded Frame (BF)	P7
Mastic	P7
Locks	   P8
Locking Options	P8
Caps & Bungs	P8
Keys	P9
Contact Details	      P9

Handling, storage & protection

Handling

- Profab Access Ltd Access Panels, Riser Doors and Doorset's are a high quality product and therefore require an appropriate level of protection on site; we recommend the packaging should not be removed until immediately before the doorset's are ready to be installed.
- Our products can be heavy and difficult to manoeuvre, so please take extra care to avoid damage to the product and prevent injury to site personnel, always work in accordance with sites manual handling policy.
- Our products are designed for forklift truck off-loading and will be supplied wrapped in stacks for ease of distribution.

Storage

The correct storage conditions of Profab Access Ltd products is essential to ensure the product performs and appears as specified. Storage and protection of the products on site is the responsibility of the contractor. Profab Access Ltd products should be stored close to the final installation area or in a location with limited access and traffic.

DO NOT

- Store on panel/frame edge.
- Store directly on the floor.
- Store near heaters.
- Stack product lent against walls.
- Stock product over 1 metre high.
- Store other product on top of the stored panels.
- Restack panels after delivery without using the same material or method to that used while the products were being transported.

Protection

Bespoke panels

These are supplied with installed Protek protection and is applied to allow the door to function after installation (not applicable to Plaster Board panels or tiled panels). The product is then wrapped in shrink wrap to protect the product during transportation. It is essential to protect the doorset's after they are installed until the handover of the building. Protek will protect the door facings and will give basic protection from paint and dirt etc, the Protek will not protect the doors from impacts and it is the responsibility of the contractor's to assess the level of protection required for the panel and provide it. When reapplying the Protek or applying other types of protection a low tack adhesive tape should be used, do not use any form of packing tape or duck types of tape as this may damage the powder coating finish and mark the doorset's.

Stock panels

These are supplied boxed with no additional protection, add protection after installation as required.

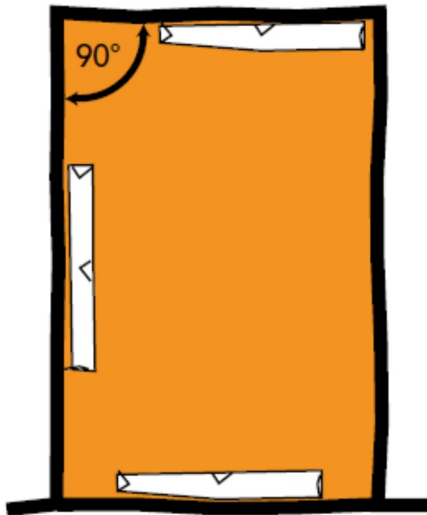
Additional low tack tape can be purchased, please contact a member of the Profab team.

It is recommended that a box knife is used to remove the transport protection as an open blade may scratch/damage the product.

Before you start

Opening

- Make sure that you have the correct panel/doorset in relation to the opening in which it is going to be installed; each product has a unique reference located on the label (Door Number), which links with the contract drawings and schedules.



- Check the structural opening is plumb and level before you start installation. Our product is designed to allow for an opening to be no greater than 5mm out of square.
- Before removing the packaging check that the overall dimensions of the panel will fit the opening it is intended for, if correct remove the transport packaging and take care to retain any loose items.
- Also within the packaging on fire rated doorset's you will find the product data sheet which gives the capabilities of the panel and what you can and cannot do to the product. This is also explained within this guide.



Door Finishes

All steel components of the panel and frame are supplied with a powder coat finish (white). This finish can be the finished item with no additional finish required or can be painted over to match other wall finishes.

When painting the panels the powder coat will require a light sand/de-nibbing, this will key the paint to the powder coat.

If in doubt or if there are any questions please contact a member of the Profab Team

Installation

Clearances

The following clearances should be achieved around the panel when closed to comply with fire certification and for the product to function correctly.

- Frame to panel gap = 3mm maximum (Manufactured to allow 2mm).
- Structural opening to frame gap = 5mm allowance, for maximum tolerance please refer to the fire mastic that is being used.

Adjusting panel sizes

All of our panels are made to measure and cannot be cut down / adjusted, it is recommended that the structural openings are measure prior to the panels being manufactured.

Apertures

No site cutting of any type of aperture is permitted.

Frame Packer Material Requirements

- Non Fire rated - Any type of Plastic, Timber or Metal packers.
- Fire Rated – Steel packers or a non-combustible material may be used.

Fixings

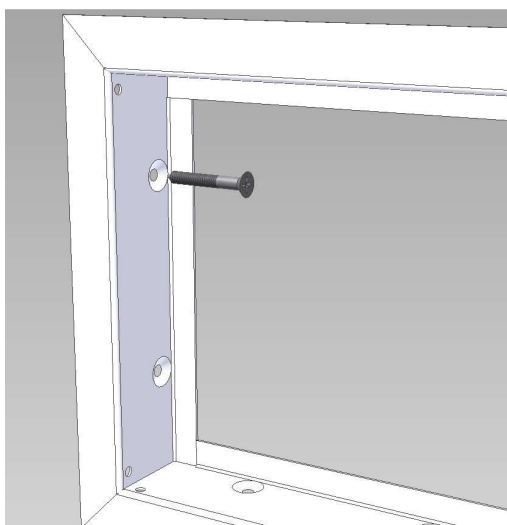
- For masonry or concrete, doorset's to be installed using a minimum M6 steel anchor fixings.
- For plasterboard wall assemblies, doorset's to be installed using a minimum No 6 Plasterboard screw (steel) or steel woodscrew.

Tools & Components Required

- Battery or mains drill/driver. (Suitable for masonry wall if applicable)
- Basic hand tools.
- Various length spirit level dependent on the panel size, it is advised that a suitable length spirit level is used for the panel which is being installed. e.g. it is not recommended to use a 300mm level on a 1800mm long frame section.
- Frame packers (if applicable)

Picture Frame (PD) with Metal Door (MD)

- Ensure opening is level and plumb and that the opening is around 5mm larger than the frame.
- Position the frame into the opening.
- Using 2 of the frame countersunk fixing locations, preferably 2 opposite corners. Loosely install the frame.
- Add packers around the frame making sure the frame is equally spaced and allowing the panel to close with an equal gap between the panel and frame.

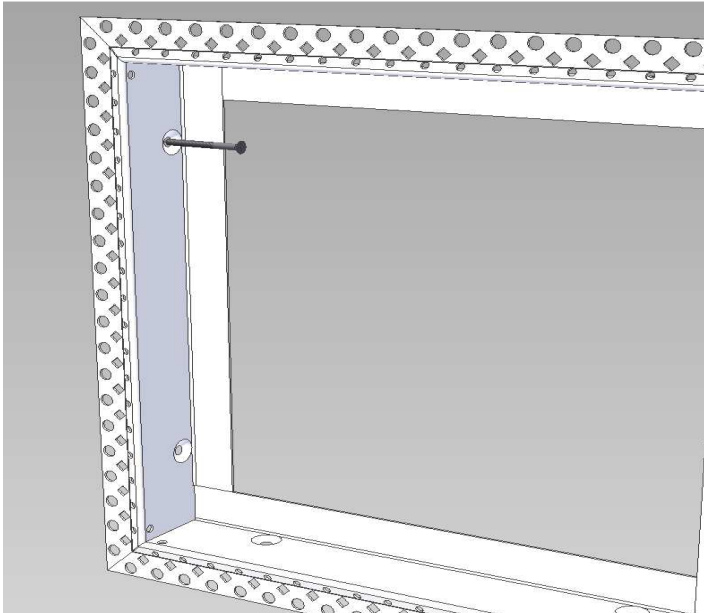


- Before inserting the remaining fixings ensure the locking device can locate into the frame and lock.
- Insert the remaining fixings, ensure all fixings holes are used.

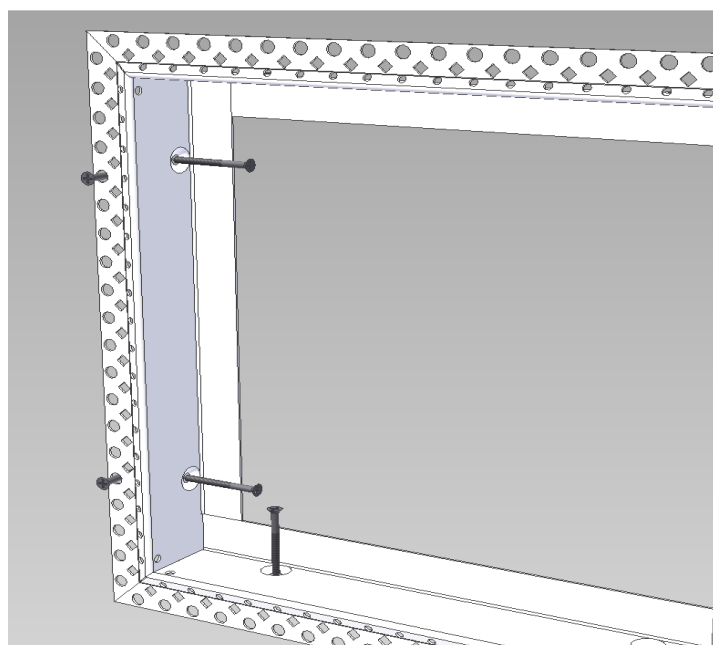
Note, during the installation process the door may need removing on larger panels, this can be done by removing the 2 screws within the panel, 1 at the top pivot point and 1 at the bottom pivot point. It is recommended that this be done with a long reach manual screw driver and not with a battery operated screw driver to eliminate any cross threading. On fire rated panels it may be necessary to remove the silver foil and Rockwool to gain access to the screws. Ensure the Rockwool and foil is replaced to ensure the fire integrity is not affected.

 **Beaded Frame (BF) with Metal Door (MD)**

- Ensure opening is level and plumb and that the opening is around 5mm larger than the frame.
- Position the frame into the opening.
- Add packers around the frame making sure the frame is equally spaced and allowing the panel to close with an equal gap between the panel and frame.



Loosely fix frame



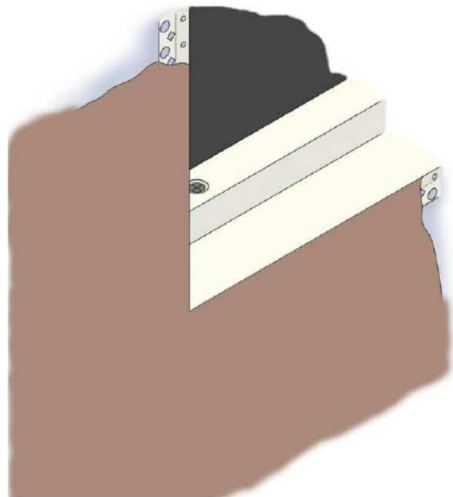
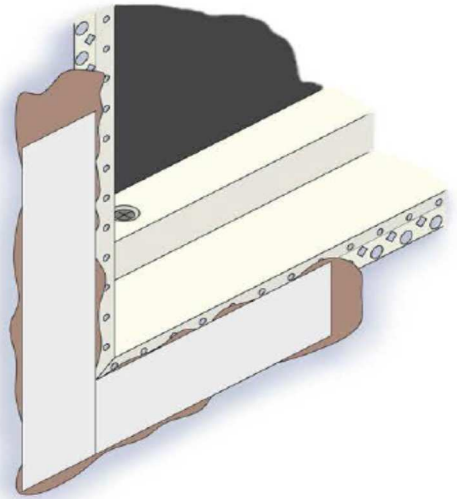
Add remaining fixings

- Add further packers around the sides making sure the frame is equally spaced and allowing the panel to close with an equal gap between the panel and frame.
- Before inserting the remaining fixings ensure the locking device can locate into the frame and lock.
- During the installation process the door may need removing on larger panels, this can be done by removing the 2 screws within the panel, 1 at the top pivot point and 1 at the bottom pivot point. It is recommended that this be done with a long reach manual screw driver and not with a battery operated screw driver to eliminate any cross threading. On fire rated panels it may be necessary to remove the silver foil and Rockwool to gain access to the screws. Ensure the Rockwool and foil is replaced to ensure the fire integrity is not affected.
- Insert the remaining fixings, ensure all fixings holes are used.
- It is good practice on a beaded frame to add fixings to the face of the frame. Ensures the fixings do not protrude passed the face of the bead.

Plastering a beaded frame

- Spread finish coat plaster (skimming) or jointing compound (tape & Jointing) along the bead overlapping onto the plasterboard surface. 'Bed in' paper joint tape by pressing it firmly into the plaster / jointing compound material.

Note, Paper tape is preferred to self-adhesive fibre tape as it generally considered to give better resistance to cracking.

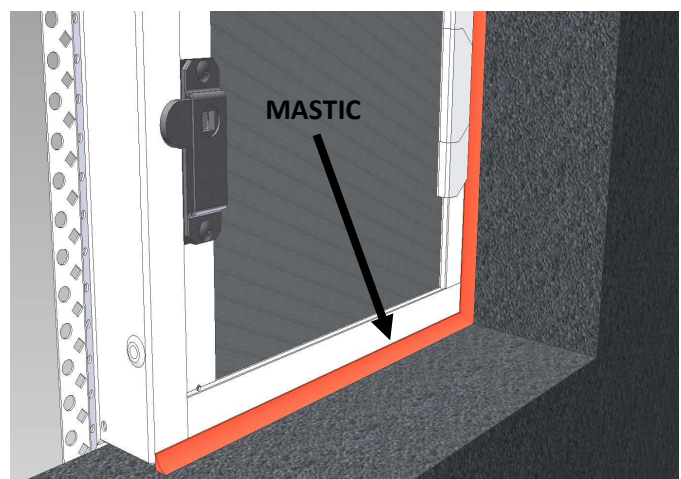


- Plaster skimming – Trowel apply finish coat plaster ensuring the paper tape remains positioned and that the plaster is pushed through the tape well into any gaps between the beaded frame and the plasterboard surface. Finish the skimming with a firm pressure to the beaded frame joint after the joint treatment has stiffened but not set.
- Taping and jointing – Trowel apply 2 or 3 applications of jointing compound allowing each to set dry before the next application, feathering each out beyond the previous application. Sand as required to achieve a smooth surface.

- Remove any excess plaster that may have fallen between the frame and panel.
- If plastering the frame while the panel is installed ensure the gap between the frame and panel is free from plaster or jointing compound. Plaster / jointing compound within the gap may result in the panel being damaged during operation.

Mastic/Silicone seals

- Non Fire rated doorset's, it is advised that a mastic or silicone sealant is applied around the rear perimeter of the frame. Any type of Mastic, silicone sealant can be used dependent on the client's requirements.
- Fire Rated doorset's, it is essential for a fire rated mastic be applied to the rear perimeter of the frame. The fire rated mastic should have a fire rating to match that of the doorset.
- Ensure that the mastic is of an equal or higher fire rating of the panel and that it is fire rated to be used on a steel panel/doorset.



 **Locking Options**

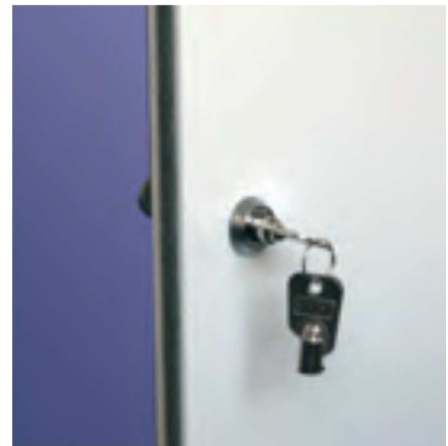
There are a number of different locking options, all locks are installed and set during the manufacturing process with no need for adjustment once on site.



Push Catch (PC)



Budget Lock (BL)



Security Lock (SL)

Caps and Bungs

These are supplied installed into the panels during the manufacturing process, extra / spare caps and bungs can be purchased. Please contact a member of the Profab Team.



Metal Door Cap & Collar installed



Metal Door Cap removed, Collar exposed

Keys


All 'T' bar keys and or Security lock keys are supplied with the panels, please be careful when unpacking the panels not to discard these.

Additional 'T' bar keys can be purchased, please contact a member of the Profab Team.




Contact Details


Sales / Technical Enquiries


 +44 (0) 1827 719 051

 technical@profabaccess.com

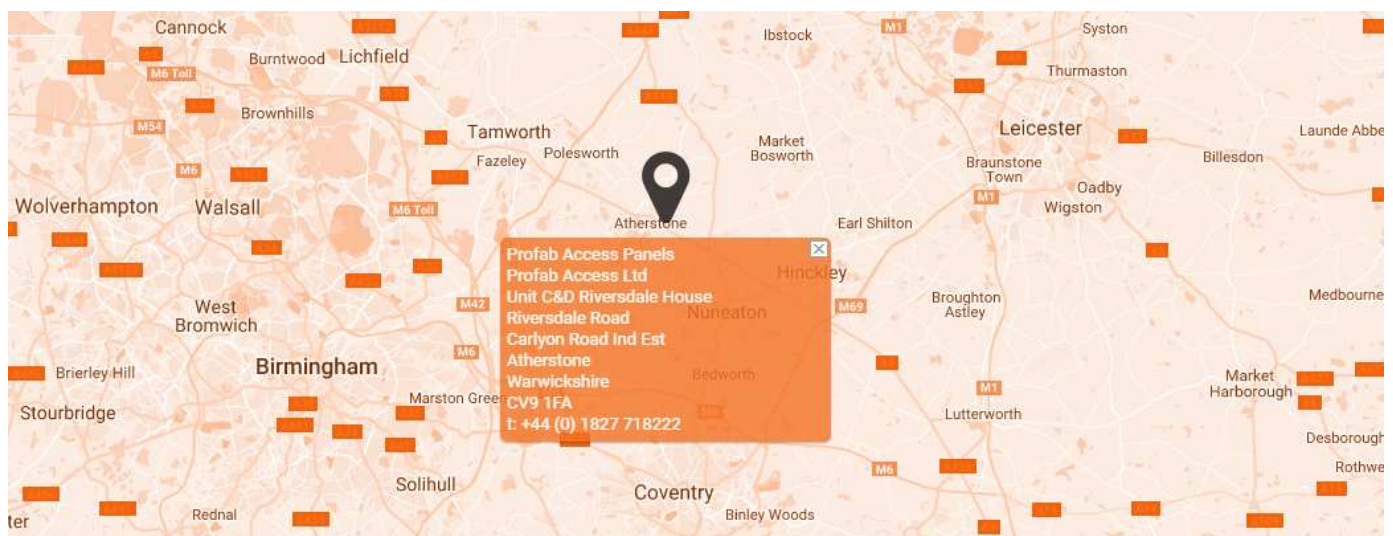
Connect With Us

 profabaccesspanels.com

 [profabaccesspanels](https://www.facebook.com/profabaccesspanels)

 [@accesspanels](https://twitter.com/accesspanels)

 [youtube.com](https://www.youtube.com) (search Profab Access Ltd)



Contact Details:
Tel: +44 (0) 1827 718 222
Web: Profabaccess.com

Profab Access Ltd
Unit C & D, Riversdale House
Riversdale Road, Carlyon Road Ind Est
Atherstone, Warwickshire
UK, CV9 1FA



Contact Details:
Tel: +44 (0) 1827 718 222
Web: Profabaccess.com

RK Feb 2017 Rev A

Profab Access Ltd
Unit C & D, Riversdale House
Riversdale Road, Carlyon Road Ind Est
Atherstone, Warwickshire
UK, CV9 1FA